

Stamford Power : ژنراتور

موتور دیزل : Lovol

Standby		Prime		دیزل ژنراتور
KVA	KW	KVA	KW	
217	-	197	158	





REAL EUROPEAN TECHNOLOGY
IMPORTED 欧洲科技 一脉传承

158.4kWm 1500rev/min
174.2kWm 1800rev/min

1100 SERIES
1106C-P6TAG4

Engine Advantages

■ Dependable Power

Lovol newly developed g-drive diesel engines of 1100 series provide better reliability and bigger power output, by adopting four-valve technology and strengthened major and moving components, such as cylinder block, cylinder head, crankshaft, connecting rod and so on.

1106C-P6TAG4 engine provides greater productivity through an improved power to weight ratio.

Without pre-heater device, engines can be normally started at the temperature of -10°C; With pre-heater device,

engines can be normally started at the

temperature of -30°C; Engine also has been designed with -40°C starting aid for excellent load acceptance to ensure your facility is powered quickly at all conditions.

The maximum working environmental temperature for the engine is 55°C.

■ Low Operating Costs

Service intervals are set at 300 hours as standard. The most competitive warranty policy is also provided.

■ Flexibility

The 1100 series has been designed to hit all the main power nodes, perfect for rental business or to help reduce your engine inventory.

■ Professional Product Support

Through an experienced global network of distributors and dealers, fully trained engine experts deliver total service support and dedicate to maximizing the productivity of your engine.



REAL EUROPEAN TECHNOLOGY
IMPORTED 欧洲科技 一脉传承

Standard Configuration

Induction system

Air filter,
turbocharger+intercooler

Fuel system

In-line pump +GAC governor
Spin-on full flow fuel filters
Pre-filter

Lubrication system

Flat aluminum oil sump
Spin-on full flow oil filters

Cooling system

Thermostat controlled by gear
driven water pump
680mm belt-driven pusher fan
Radiator assy. (including air-air
intercooler, tubes and fin)

Electrical system

12V Starter motor and alternator
12V stop solenoid
Oil pressure and water
temperature sensor

Flywheel and housing

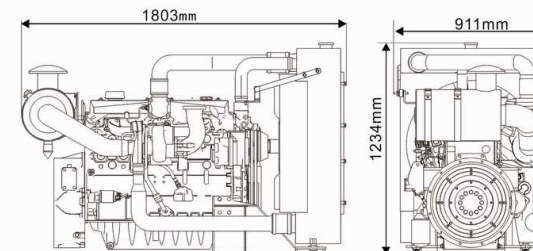
High inertia flywheel
SAE 3 or SAE2 flywheel housing

Accessory

Front engine mountings

Options

24V Alternator
24V Starter motor



Main parameters

Number of cylinders	6
Arrangement of cylinders	In-line
Bore × stroke	100 mm × 127 mm
Displacement (L)	5.98
Aspiration	Turbocharged and intercooled
Cycle	4-stroke
Combustion system	Direct injection
Compression ratio	17.5:1
Total lubrication capacity	19.3L
Total coolant capacity (inc. radiator)	36.3L
Length	1803mm
Width	911 mm
Height	1234 mm
Dry weight	800kg

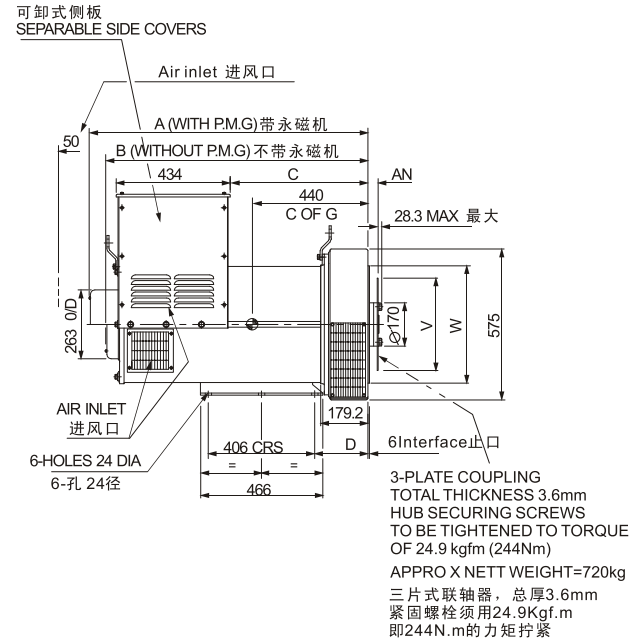
Engine Speed (rev/min)	Operation Type	Typical Generator Output (Net)		Engine Power			
				Gross		Net	
		kVA	kWe	kW	bhp	kW	bhp
1500	Prime Power	180	146	168	228.3	158.4	215
	Standby (Max)	200	160	183.6	249.5	174	236
1800	Prime Power	196	157	186	253	174.2	237
	Standby (Max)	216	173	203.4	276	191.7	261



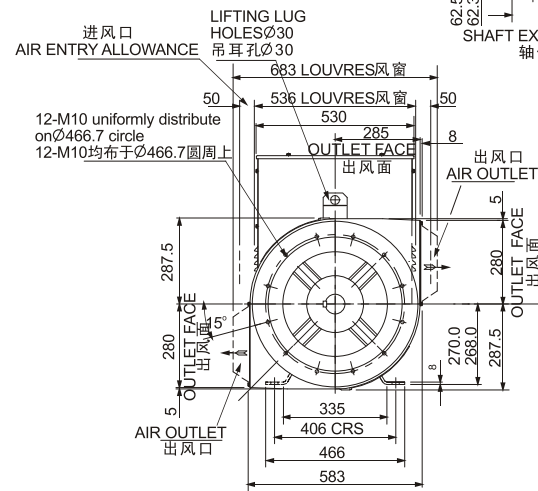
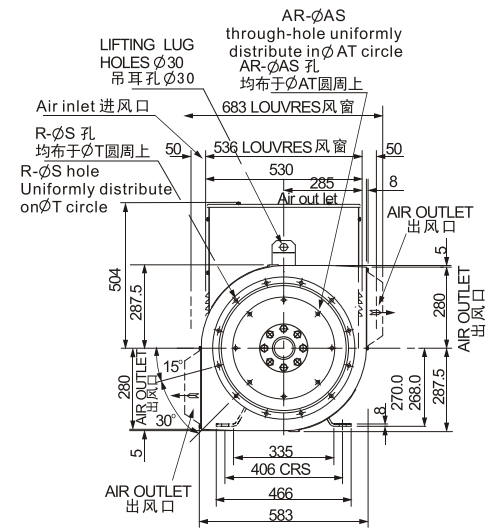
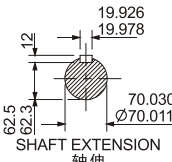
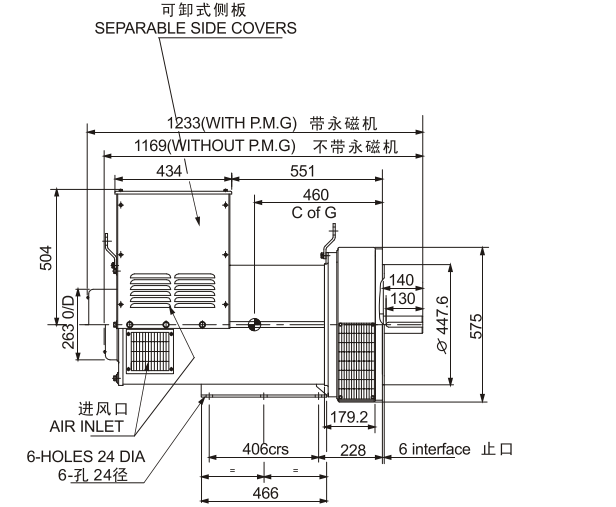
Tianjin Engine Factory of Lovol Tianjin Heavy Industry Group Co., Ltd.
77 Gaoxin Avenue, Beichen Hi-tech Industrial park, Beichen district, Tianjin.
Tel: +86(0)22 26996802
Fax: +86(0)22 86993260
Email: lovolengines@lovolengines.com
www.lovolengines.com

All information in this document is substantially correct at time of printing and may be altered subsequently.

单轴承 SINGLE BEARING



双轴承 DOUBLE BEARING



FLANGE 法兰式过渡接套 (mm)

S.A.E.NO.	A	B	C	D	R	S	T	W
1	1063	1000	525	202	12	12.7	530.2	511.1
2	1063	1000	525	202	12	11	466.7	447.6
3	1086.5	1023.5	548.5	225.5	12	11	428.6	409.5

DISC COUPLING 盘片式联轴器 (mm)

S.A.E.NO.	AN	AR	AS	AT	V
11.5	39.68	8	11	333.3	352.3
14	25.40	8	13.5	438.2	466.6

SAE NO SELECTOR CHOWT 驱动片和过渡法兰配套表

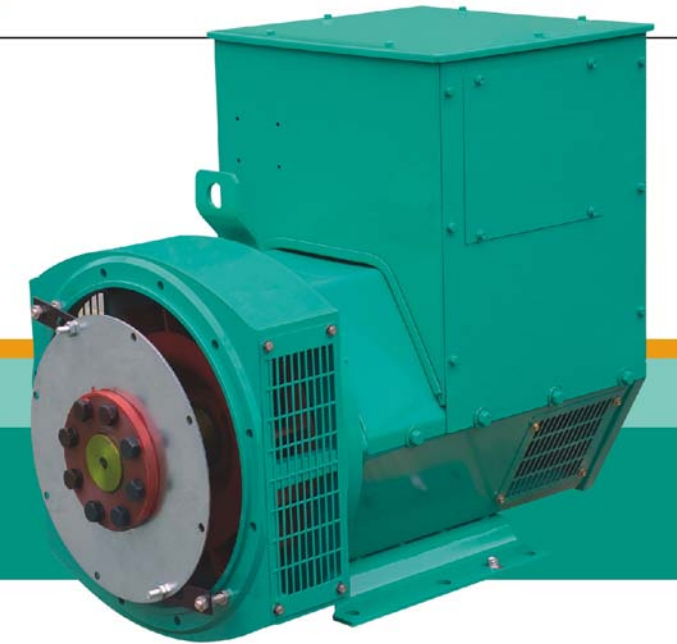
	SAE10	SAE11.5	SAE14
SAE 1		•	•
SAE 2		•	
SAE 3	•	•	

NEW ERA SLG

系列三相无刷同步发电机
SERIES THREE-PHASE BRUSHLESS
SYNCHRONOUS ALTERNATOR



SLG274 TECHNICAL DATA SHEET

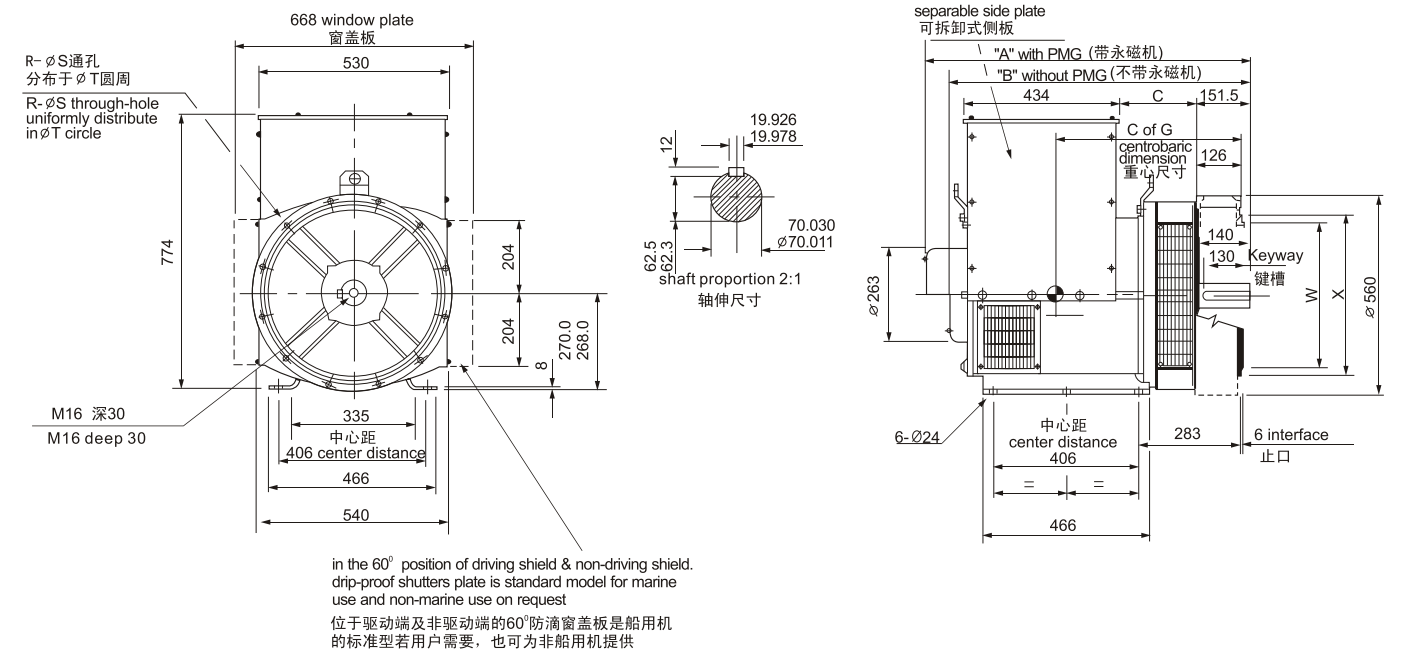
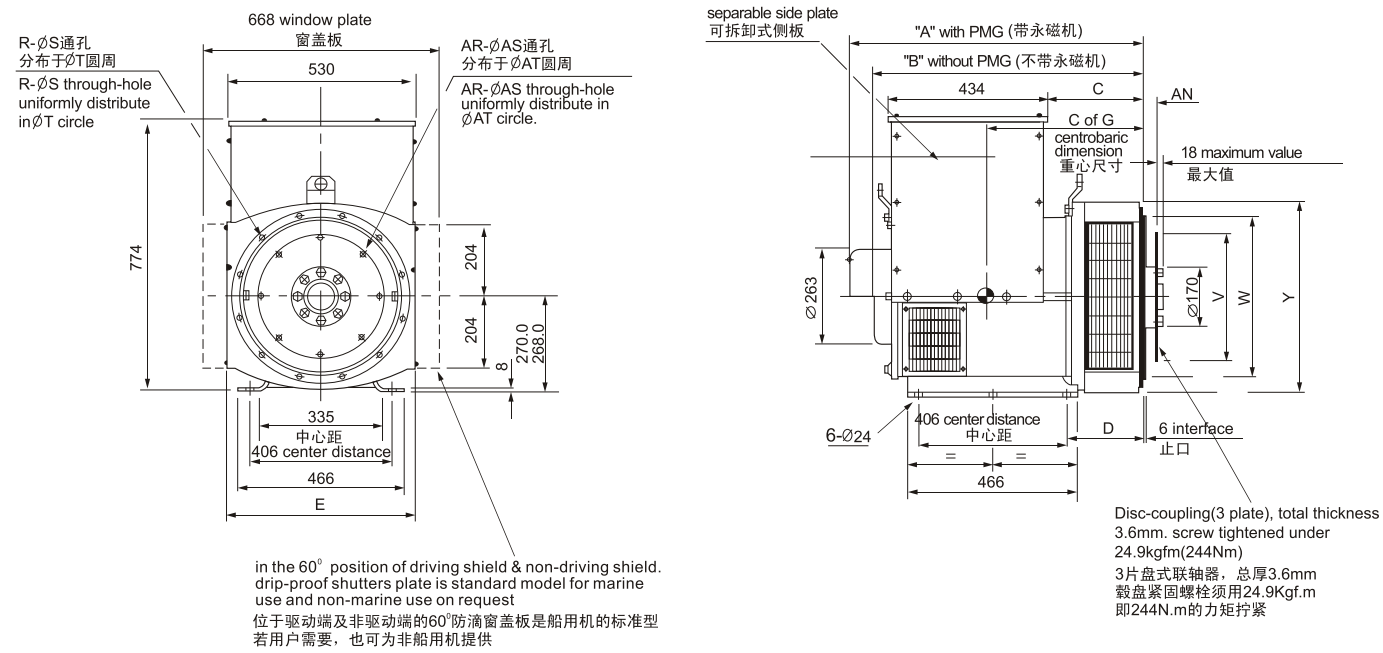


50Hz CLASS "H"

RATINGS	绕组形式 311 / 功率因数0.8 Winding 311 / 0.8 Power Factor													
	持续/125k/40°C Cont./125K/40°C				持续/125k/40°C Cont./125K/40°C				持续/125k/40°C Cont./125K/40°C					
定额/温升/环境温度 Duty / Temp Rise / Ambient T°	三相 3 PHASE								单相 1 PHASE					
相数 PHASE	三相 3 PHASE								单相 1 PHASE					
星形串联 SERIES STAR	380	400	415											
星形并联 PARALLEL STAR	190	200	208											
三角形串联 SERIES DELTA	220	230	240											
双三角形并联 DOUBLE DELTA								220	230	240				
	KVA	KW	KVA	KW	KVA	KW	KVA	KW	KVA	KW	KVA	KW	KVA	KW
SLG274C	100	80	100	80	100	80	60	48	60	48	60	48	60	48
SLG274D	114	91.2	120	96	114	91.2	68	54.4	68	54.4	68	54.4	68	54.4
SLG274E	140	112	140	112	140	112	85	68	85	68	85	68	85	68
SLG274F	160	128	160	128	160	128	96	76.8	96	76.8	96	76.8	96	76.8
SLG274G	180	144	180	144	180	144	108	86.4	108	86.4	108	86.4	108	86.4
SLG274H	200	160	200	160	200	160	120	96	120	96	120	96	120	96
SLG274J	230	184	230	184	230	184	138	110.4	138	110.4	138	110.4	138	110.4
SLG274K	250	200	250	200	250	200	150	120	150	120	150	120	150	120

60Hz CLASS "H"

RATINGS	绕组形式 311 / 功率因数0.8 Winding 311 / 0.8 Power Factor													
	持续/125k/40°C Cont./125K/40°C				持续/125k/40°C Cont./125K/40°C				持续/125k/40°C Cont./125K/40°C					
定额/温升/环境温度 Duty / Temp Rise / Ambient T°	三相 3 PHASE								单相 1 PHASE					
相数 PHASE	三相 3 PHASE								单相 1 PHASE					
星形串联 SERIES STAR	416	440	460	480										
星形并联 PARALLEL STAR	208	220	230	240										
三角形串联 SERIES DELTA	240	254	266	277										
双三角形并联 DOUBLE DELTA								220	230	240				
	KVA	KW	KVA	KW	KVA	KW	KVA	KW	KVA	KW	KVA	KW	KVA	KW
SLG274C	112.5	90	117.5	94	117.5	94	125	100	61.3	49	64.4	51.5	67.5	54
SLG274D	131.3	105	137.5	110	137.5	110	146.3	117	72	57.6	75	60	78.8	63
SLG274E	160	128	167.5	134	167.5	134	178.8	143	84	67.2	90	72	96	76.8
SLG274F	181.3	145	190	152	190	152	206.3	165	97.5	78	103.1	82.5	108.8	87
SLG274G	205	164.5	218.5	174.8	218.5	174.8	231.4	185.1	110.5	88.4	115.7	92.6	123.4	98.7
SLG274H	237.5	190	245	196	245	196	255	204	127.5	102	135	108	142.5	114
SLG274J	296	215.2	281	224.8	294	215.2	300	240	150	120	157	125.6	161	128.8
SLG274K	291	232.8	299	239.2	235.2	250	312.5	250	155	124	166	132.8	175	140



DIMENSION 尺寸(mm)									
	型号 Model	A	B	C	E	C of G	N.W(kg)	G.W(kg)	LXWXH(mm)
SAE1	SLG274C	813.3	750.3	274.3	554	365	385	415	900X650X975
	SLG274D	813.3	750.3	274.3	554	375	405	435	900X650X975
	SLG274E	928.3	865.3	389.3	554	390	455	485	1020X650X975
	SLG274F	928.3	865.3	389.3	554	415	500	530	1020X650X975
	SLG274G	978.3	915.3	439.3	554	435	550	580	1080X650X975
	SLG274H	1018.3	955.3	479.3	554	455	600	630	1110X650X975
SAE2&3	SLG274C	799	736	260	544	398	385	415	900X650X975
	SLG274D	799	736	260	544	422	405	435	900X650X975
	SLG274E	914	851	375	544	489	455	485	1020X650X975
	SLG274F	914	851	375	544	527	500	530	1020X650X975
	SLG274G	964	904	425	544	579	550	580	1080X650X975
SLG274H	1004	941	465	544	625	600	630	1110X650X975	

FLANGE 法兰式过渡接套 (mm)							
S.A.E.NO.	D	R	S	T	W	X	Y
1	216.3	12	12.7	530.2	511.1	553	580
2	202	12	11	466.7	447.6	490	530
3	202	12	11	428.6	409.5	451	530

DISC COUPLING 盘片式联轴器 (mm)					
S.A.E.NO.	AN	AR	AS	AT	V
10	53.98	8	11	295.3	314.2
11.5	39.68	8	11	333.3	352.3
14	25.40	8	13.5	438.2	466.6

DIMENSION 尺寸(mm)				
型号 Model	A	B	C	C of G
SLG274C	905	842	215	420
SLG274D	905	842	215	430
SLG274E	1020	957	330	445
SLG274F	1020	957	330	475
SLG274G	1070	1007	380	490
SLG274H	1110	1047	420	510

FLANGE 法兰式过渡接套 (mm)					
S.A.E.NO.	R	S	T	W	X
1	12	12.7	530.2	511.1	553
2	12	11	466.7	447.6	495
3	12	11	428.6	409.5	451

TRANSPORTATION DATA 运输数据			
型号 Model	N.W(kg)	G.W(kg)	LXWXH(mm)
SLG274C	395	435	980X650X975
SLG274D	420	460	980X650X975
SLG274E	470	510	1080X650X975
SLG274F	510	550	1080X650X975
SLG274G	560	600	1110X650X975
SLG274H	610	650	1160X650X980