

ژنراتور : Stamford Power

موتور دیزل : Lovol

Standby		Prime		دیزل ژنراتور
KVA	KW	KVA	KW	
62	-	56	45	



FORWARD ENGINE



Lovol 1000 Nature gas engine - Genset

Inheriting from the leading European technology – Perkins, Lovol 1000 series provides professional power solution for genset, marine, water pump and agricultural equipment etc.



Important Features

- Adopting the electronic control multi-point injection and theoretic air and fuel ratio combustion strategy, the power performance and acceleration performance of nature gas engine are much higher than that of single-point injection and lean burn engine.
- The main maintenance parts, such as oil filter, air filter, pressure reducing valve and ignition coil, are all mounted in the right side, while the inlet and outlet in the left side (facing the fan), which brings the convenience to the maintenance.
- The adoption of the world advanced multi-point electronic fuel injection system not only brings the lower gas consumption and better economy, but also the higher emission standard.

Loval 1000 Nature gas engine - Genset

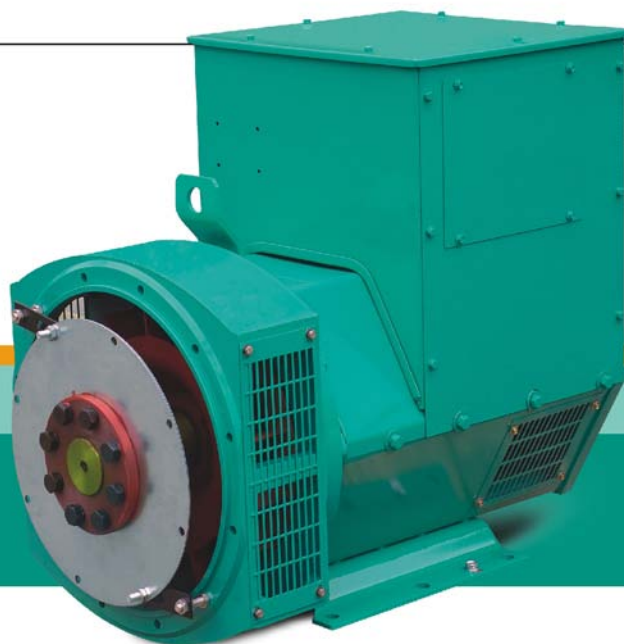
Item #	1004NG	1006NG	1004NG	1006NG
Speed - rpm	1500	1500	1800	1800
Rated power - kW	30	40	35	45
Standby power - kW	33	42	38	47
Compression ratio	16.5 : 1	17.5 : 1	17.5 : 1	17.5 : 1
Noise - dB(A)	92	92	94	94
Dimension - mm	1150*810*980	1150*810*980	1430*900*1000	1430*940*1000
Bore * Stroke - mm	100*127	100*127	100*127	100*127
Displacement - L	3.99	3.99	5.99	5.99
Governor type	Electronic	Electronic	Electronic	Electronic
Governing rate	≤ 1%	≤ 1%	≤ 1%	≤ 1%
Oil pressure - Mpa	0.34-0.45	0.34-0.45	0.34-0.45	0.34-0.45
Configuration	In-line, direct injection, water-cooled			
Rotation of crankshaft	Counter-clockwise – viewed from flywheel side			
Cylinder number	4	4	6	6
Ignition system	Natural	Natural	Natural	Natural

Standard Accessories

- 24V electric system (12V optional)
- S.A.E. 3 flywheel housing
- 10" & 11.5" flywheel
- Fuel, air and oil filter
- Qualification certificate, handbook & service manual
- Oil pressure and water temperature alarm switch & sensor (2 in 1) in accordance with VDO parameter
- Separate fan
- Cold start aid
- Engine front support
- 24V start motor, alternator and solenoid
- Radiator - fan guard & front guard included

NEW ERA SLG

系列三相无刷同步发电机
SERIES THREE-PHASE BRUSHLESS
SYNCHRONOUS ALTERNATOR



SLG224 TECHNICAL DATA SHEET

50Hz CLASS "H"

RATINGS	绕组形式 311 / 功率因数0.8 Winding 311 / 0.8 Power Factor												绕组形式05 Winding 05					
	持续/125k/40°C Cont./125K/40°C						持续/125k/40°C Cont./125K/40°C						持续/125k/40°C Cont./125K/40°C					
定额/温升/环温T° Duty / Temp Rise / Ambient T°	三相 3 PHASE						单相 1 PHASE						单相 1 PHASE					
相数 PHASE	三相 3 PHASE						单相 1 PHASE						单相 1 PHASE					
星形串联 SERIES STAR	380	400	415	440														Power Factor
星形并联 PARALLEL STAR	190	200	208	220											0.8	1		
三角形串联 SERIES DELTA	220	230	240	254														
双三角形并联 DOUBLE DELTA									220	230	240						220,230,240	
	KVA	KW	KVA	KW	KVA	KW	KVA	KW	KVA	KW	KVA	KW	KVA	KW	KVA	KW	KVA	KW
SLG224C	42.5	34	42.5	34	42.5	34	30	24	28.5	22.8	28.5	22.8	28.5	22.8	28	22.4	28	28
SLG224D	50	40	50	40	50	40	37.5	30	33.5	26.8	33.5	26.8	33.5	26.8	35	28	35	35
SLG224E	60	48	60	48	60	48	45	36	40	32	40	32	40	32	40	32	40	40
SLG224F	72.5	58	72.5	58	72.5	58	55	44	48.5	38.8	48.5	38.8	48.5	38.8	50	40	50	50
SLG224G	85	68	85	68	85	68	75	60	56.5	45.2	56.5	45.2	56.5	45.2	60	48	60	60

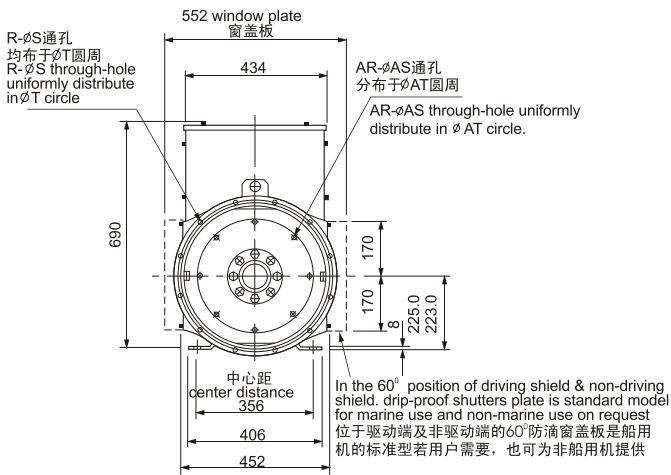
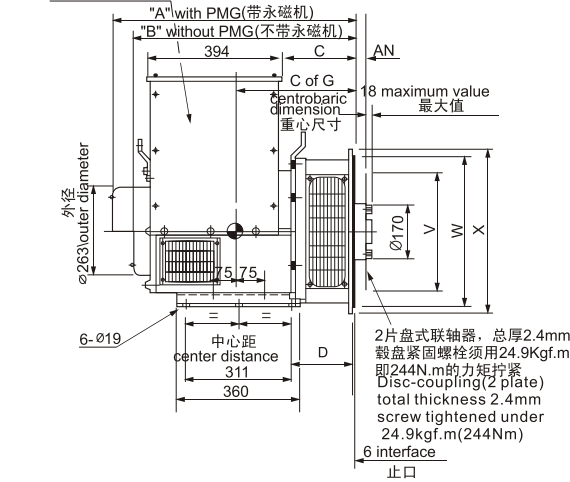
60Hz CLASS "H"

RATINGS	绕组形式 311 / 功率因数0.8 Winding 311 / 0.8 Power Factor												绕组形式05 Winding 05					
	持续/125k/40°C Cont./125K/40°C						持续/125k/40°C Cont./125K/40°C						持续/125k/40°C Cont./125K/40°C					
定额/温升/环温T° Duty / Temp Rise / Ambient T°	三相 3 PHASE						单相 1 PHASE						单相 1 PHASE					
相数 PHASE	三相 3 PHASE						单相 1 PHASE						单相 1 PHASE					
星形串联 SERIES STAR	416	440	460	480														Power Factor
星形并联 PARALLEL STAR	208	220	230	240											0.8	1		
三角形串联 SERIES DELTA	240	254	266	277														
双三角形并联 DOUBLE DELTA									220	230	240						220,230,240	
	KVA	KW	KVA	KW	KVA	KW	KVA	KW	KVA	KW	KVA	KW	KVA	KW	KVA	KW	KVA	KW
SLG224C	50	40	52.5	42	52.5	42	55	44	30.5	24.4	32	25.6	33.5	26.8	37.5	30	37.5	37.5
SLG224D	60	48	62.5	50	62.5	50	65	52	36.5	29.2	38.3	30.6	40	32	44	35	44	44
SLG224E	67.5	54	70	56	72.5	58	75	60	41.3	33	43.1	34.5	45	36	50	40	50	50
SLG224F	83.8	67	87.5	70	87.5	70	93.8	75	50	40	52.5	42	56	45	60	48	60	60
SLG224G	93.8	75	97.5	78	100	80	103.8	83	56.9	45.5	59.4	47.5	62.5	50	70	56	75	75

SLG224 外形图 External dimension

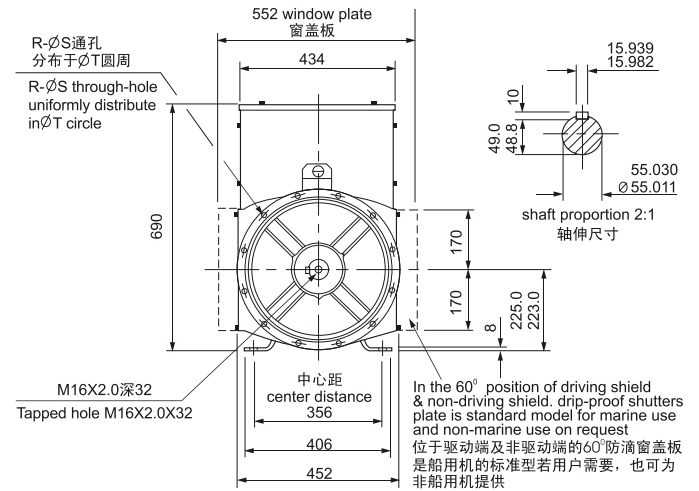
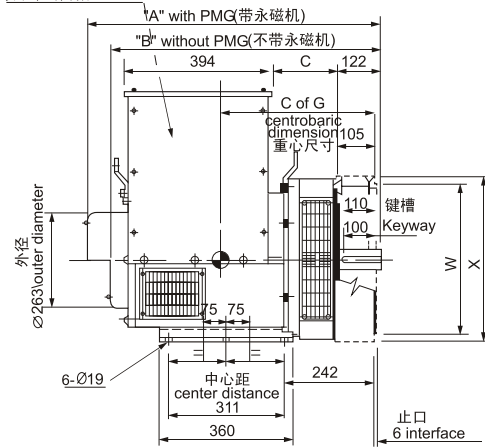
单轴承 SINGLE BEARING

separable side plate
可拆卸式侧板



双轴承 DOUBLE BEARING

separable side plate
可拆卸式侧板



DIMENSION 尺寸(mm)

型号Model	A	B	C	C of G	LXWXH(mm)
SAE2.4 SLG224C	734	671	233.5	323	820X540X870
SAE2.4 SLG224D	734	671	233.5	333	820X540X870
SAE2.4 SLG224E	824	761	323.5	348	890X540X870
SAE2.4 SLG224F	824	761	323.5	358	890X540X870
SAE2.4 SLG224G	869	806	368.5	373	930X540X875
SAE3 SLG224C	710	647	210	311	820X540X870
SAE3 SLG224D	710	647	210	321	820X540X870
SAE3 SLG224E	800	737	300	336	890X540X870
SAE3 SLG224F	800	737	300	346	890X540X870
SAE3 SLG224G	845	782	345	361	930X540X875

FLANGE 法兰式过渡接套 (mm)

S.A.E.NO.	D	R	S	T	W	X
2	200.5	12	11	466.7	447.6	490
3	177	12	11	428.6	409.5	451
4	200.5	12	11	381.0	361.9	451

DISC COUPLING 盘片式联轴器(mm)

S.A.E.NO.	AN	AR	AS	AT	V
8	61.9	6	11	244.4	263.4
10	53.98	8	11	295.3	314.2
11.5	39.68	8	11	333.3	352.3
14	25.40	8	13.5	438.2	466.6

DIMENSION 尺寸(mm)

型号Model	A	B	C	C of G	N.W(kg)	G.W(kg)	LXWXH(mm)
SLG224C	792	729	170	368	250	275	820X540X870
SLG224D	792	729	170	378	270	295	820X540X870
SLG224E	882	819	260	393	290	315	930X540X875
SLG224F	882	819	260	403	320	345	930X540X875
SLG224G	927	864	305	418	360	385	930X540X875

FLANGE 法兰式过渡接套 (mm)

S.A.E.NO.	R	S	T	W	X
2	12	11	466.7	447.6	495
3	12	11	428.6	409.5	451
4	12	11	381.0	361.9	403
5	8	11	333.3	314.3	356

SINGLE BEARING SAE NO SELECTOR 单轴承驱动片和过渡法兰配套表

	SAE8	SAE10	SAE11.5
SAE 2			•
SAE 3		•	•
SAE 4	•	•	