

Stamford Power : ژنراتور

موتور دیزل : Lovol

Standby		Prime		دیزل ژنراتور
KVA	KW	KVA	KW	
77	-	70	56	





65.7 kWm 1500 rev/min

75.6 kWm 1800 rev/min

Power Generation Application

High Power Density

More power output than competing products with close displacement, the power of 3-cylinder engine can reach the same level as 4-cylinder ones of competitor.

Low Fuel Consumption

The excellent combustion system can reduce fuel consumption, emission and noise, meanwhile increase engine power output.

Easy maintenance

Single side servicing for reduced service time and cost.

Durability & Reliability

Start normally at -10°C without preheated device, start smoothly at -25°C through flame glow plug cold start aid.

Maximum cooling efficiency is provided by a gear driven water pump and independent fan drive.

Leak free operation is ensured by Viton crankshaft seals and sophisticated controlled swell joints, giving protection in the toughest conditions.

1004TG GENSET POWER



Engine Speed (rev/min)	Type of Operation	Typical Generator Output (Net)		Engine Power			
				Gross		Net	
		kVA	kWe	kWm	bhp	kWm	bhp
1500	Prime Power	73.9	59.1	67.4	90.4	65.7	88.1
	Standby Power	81.3	65.0	74.2	99.5	72.3	97.0
1800	Prime Power	85.0	68.0	78.2	104.9	75.6	101.4
	Standby Power	93.6	74.8	86.0	115.3	83.2	111.6

All information in this document is substantially correct at time of printing and may be altered subsequently
 Publication No. 1666/08/10 Produced in China ©2010 Tianjin Lovol Engines Company Limited

1000 Series 1004TG

Standard Specification

Air inlet

- ✘ Mounted air filter and turbocharger

Fuel system

- ✘ In-line fuel injection pump
- ✘ Spin-on full flow fuel oil filters and pre-filter

Lubrication system

- ✘ Flat bottomed aluminium sump
- ✘ Spin-on full flow oil filters
- ✘ Oil cooler

Cooling system

- ✘ Thermostat controlled cooling system with gear driven water pump
- ✘ 20" belt-driven pusher fan and guards

Electrical system

- ✘ 12 volt starter motor and alternator
- ✘ 12 volt oil Pressure and coolant temperature switches
- ✘ 12 volt shut down solenoid

Flywheel and housing

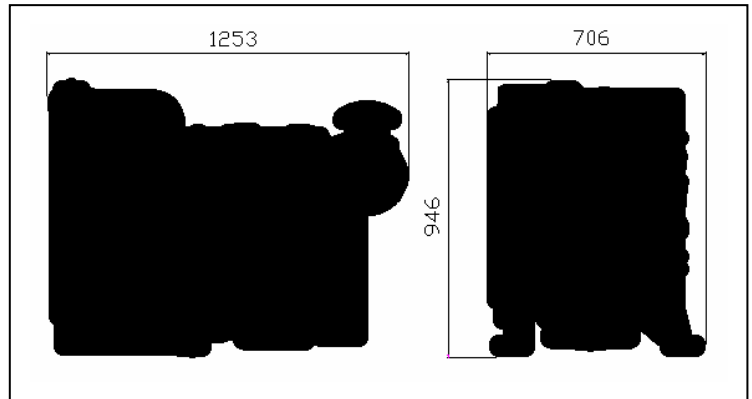
- ✘ High inertia flywheel to SAE3 size 10/11½

Mountings

- ✘ Front engine mounting bracket

Optional Equipment

- ✘ 24 volt alternator
- ✘ 24 volt starter motor
- ✘ Rear engine mountings
- ✘ Workshop manual



General Data

Cylinder number	4 in-line
Cylinder arrangement	Vertical in-line
Bore×stroke	100 mm×127 mm
Displacement	3.99 liters
Induction	Turbocharged
Cycle	4-stroke
Combustion system	Direct injection
Compression ratio	17.5:1
Direction of Rotation	Anti-clockwise viewed on flywheel
Lub. System Capacity	8.5 liters
Coolant capacity (inc. radiator)	20.6 liters
Length	1253mm
Width	706 mm
Height	946 mm
Dry weight	550 kg

Final weight and dimensions will depend on final specification.



Tianjin Lovol Engines Co., Ltd.

Jinwei Road, Beichen District, Tianjin China

Tel +86 (0)22 26992255

Fax +86 (0)22 26993784

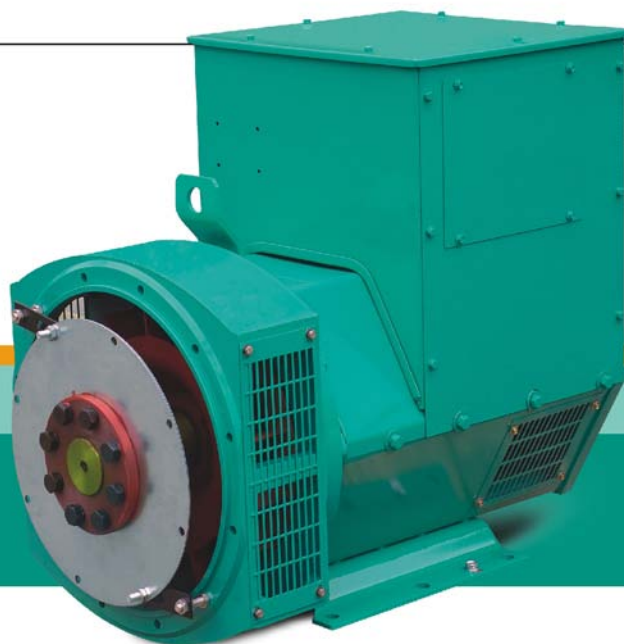
www.lovolengines.com

All information in this document is substantially correct at the time of printing and may be altered subsequently

Distributed by

NEW ERA SLG

系列三相无刷同步发电机
SERIES THREE-PHASE BRUSHLESS
SYNCHRONOUS ALTERNATOR



SLG224 TECHNICAL DATA SHEET

50Hz CLASS "H"

RATINGS	绕组形式 311 / 功率因数0.8 Winding 311 / 0.8 Power Factor												绕组形式05 Winding 05					
	持续/125k/40°C Cont./125K/40°C						持续/125k/40°C Cont./125K/40°C						持续/125k/40°C Cont./125K/40°C					
定额/温升/环温T° Duty / Temp Rise / Ambient T°	三相 3 PHASE						单相 1 PHASE						单相 1 PHASE					
相数 PHASE	三相 3 PHASE						单相 1 PHASE						单相 1 PHASE					
星形串联 SERIES STAR	380	400	415	440											Power Factor			
星形并联 PARALLEL STAR	190	200	208	220										0.8	1			
三角形串联 SERIES DELTA	220	230	240	254														
双三角形并联 DOUBLE DELTA									220	230	240			220,230,240				
	KVA	KW	KVA	KW	KVA	KW	KVA	KW	KVA	KW	KVA	KW	KVA	KW	KVA	KW	KVA	KW
SLG224C	42.5	34	42.5	34	42.5	34	30	24	28.5	22.8	28.5	22.8	28.5	22.8	28	22.4	28	28
SLG224D	50	40	50	40	50	40	37.5	30	33.5	26.8	33.5	26.8	33.5	26.8	35	28	35	35
SLG224E	60	48	60	48	60	48	45	36	40	32	40	32	40	32	40	32	40	40
SLG224F	72.5	58	72.5	58	72.5	58	55	44	48.5	38.8	48.5	38.8	48.5	38.8	50	40	50	50
SLG224G	85	68	85	68	85	68	75	60	56.5	45.2	56.5	45.2	56.5	45.2	60	48	60	60

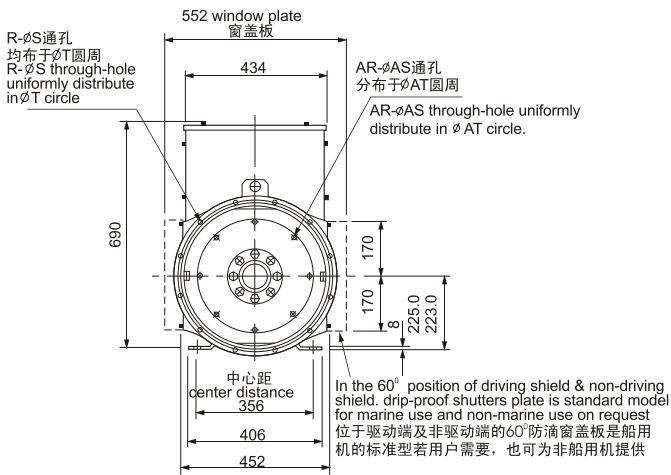
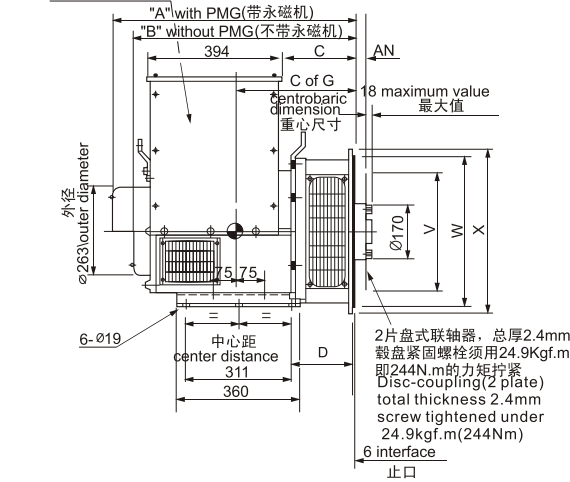
60Hz CLASS "H"

RATINGS	绕组形式 311 / 功率因数0.8 Winding 311 / 0.8 Power Factor												绕组形式05 Winding 05					
	持续/125k/40°C Cont./125K/40°C						持续/125k/40°C Cont./125K/40°C						持续/125k/40°C Cont./125K/40°C					
定额/温升/环温T° Duty / Temp Rise / Ambient T°	三相 3 PHASE						单相 1 PHASE						单相 1 PHASE					
相数 PHASE	三相 3 PHASE						单相 1 PHASE						单相 1 PHASE					
星形串联 SERIES STAR	416	440	460	480										Power Factor				
星形并联 PARALLEL STAR	208	220	230	240										0.8	1			
三角形串联 SERIES DELTA	240	254	266	277														
双三角形并联 DOUBLE DELTA									220	230	240			220,230,240				
	KVA	KW	KVA	KW	KVA	KW	KVA	KW	KVA	KW	KVA	KW	KVA	KW	KVA	KW	KVA	KW
SLG224C	50	40	52.5	42	52.5	42	55	44	30.5	24.4	32	25.6	33.5	26.8	37.5	30	37.5	37.5
SLG224D	60	48	62.5	50	62.5	50	65	52	36.5	29.2	38.3	30.6	40	32	44	35	44	44
SLG224E	67.5	54	70	56	72.5	58	75	60	41.3	33	43.1	34.5	45	36	50	40	50	50
SLG224F	83.8	67	87.5	70	87.5	70	93.8	75	50	40	52.5	42	56	45	60	48	60	60
SLG224G	93.8	75	97.5	78	100	80	103.8	83	56.9	45.5	59.4	47.5	62.5	50	70	56	75	75

SLG224 外形图 External dimension

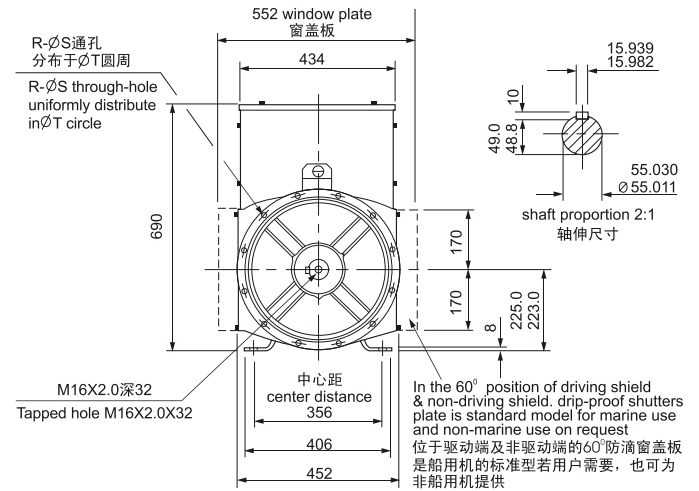
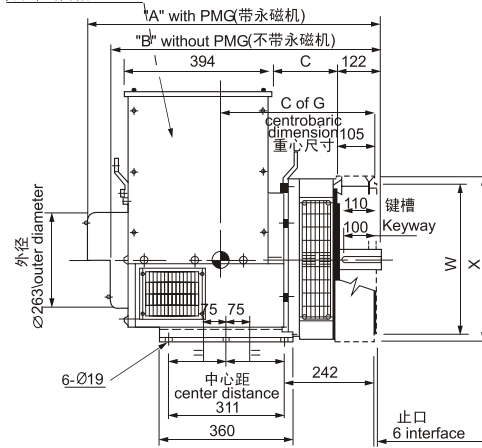
单轴承 SINGLE BEARING

separable side plate
可拆卸式侧板



双轴承 DOUBLE BEARING

separable side plate
可拆卸式侧板



DIMENSION 尺寸(mm)

型号Model	A	B	C	C of G	LXWXH(mm)
SLG224C	734	671	233.5	323	820X540X870
SLG224D	734	671	233.5	333	820X540X870
SLG224E	824	761	323.5	348	890X540X870
SLG224F	824	761	323.5	358	890X540X870
SLG224G	869	806	368.5	373	930X540X875
SLG224C	710	647	210	311	820X540X870
SLG224D	710	647	210	321	820X540X870
SLG224E	800	737	300	336	890X540X870
SLG224F	800	737	300	346	890X540X870
SLG224G	845	782	345	361	930X540X875

FLANGE 法兰式过渡接套 (mm)

S.A.E.NO.	D	R	S	T	W	X
2	200.5	12	11	466.7	447.6	490
3	177	12	11	428.6	409.5	451
4	200.5	12	11	381.0	361.9	451

DISC COUPLING 盘片式联轴器(mm)

S.A.E.NO.	AN	AR	AS	AT	V
8	61.9	6	11	244.4	263.4
10	53.98	8	11	295.3	314.2
11.5	39.68	8	11	333.3	352.3
14	25.40	8	13.5	438.2	466.6

DIMENSION 尺寸(mm)

型号Model	A	B	C	C of G	N.W(kg)	G.W(kg)	LXWXH(mm)
SLG224C	792	729	170	368	250	275	820X540X870
SLG224D	792	729	170	378	270	295	820X540X870
SLG224E	882	819	260	393	290	315	930X540X875
SLG224F	882	819	260	403	320	345	930X540X875
SLG224G	927	864	305	418	360	385	930X540X875

FLANGE 法兰式过渡接套 (mm)

S.A.E.NO.	R	S	T	W	X
2	12	11	466.7	447.6	495
3	12	11	428.6	409.5	451
4	12	11	381.0	361.9	403
5	8	11	333.3	314.3	356

SINGLE BEARING SAE NO SELECTOR 单轴承驱动片和过渡法兰配套表

	SAE8	SAE10	SAE11.5
SAE 2			•
SAE 3		•	•
SAE 4	•	•	