

Stamford Power : ژنراتور

Lovol : موتور دیزل

Standby		Prime		
KVA	KW	KVA	KW	
-	-	125	-	دیزل ژنراتور





92.3 kWm 1500 rev/min

108.4 kWm 1800 rev/min

Power Generation Application

High Power Density

Power output and torque per liter are superior to normal level with optimized structure strengthening design.

Low Fuel Consumption

The excellent combustion system can reduce fuel consumption, emission and noise, meanwhile increase engine power output.

Easy Maintenance

All routine service items are situated on the right hand side of engine allowing easy maintenance and minimum machine downtime.

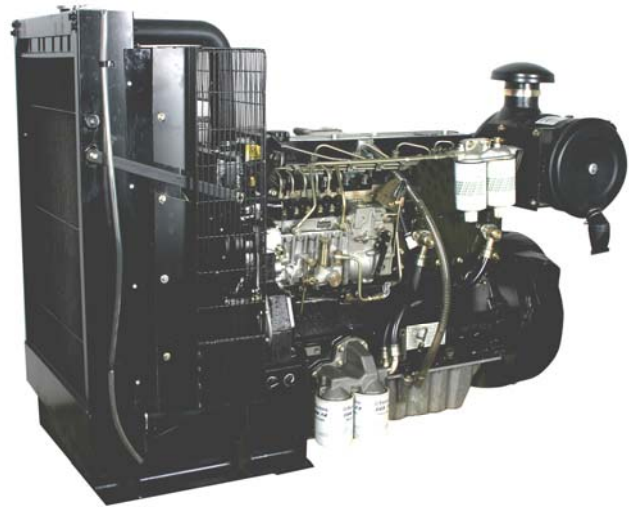
Durability & Reliability

Start normally at -10°C without preheated device, start smoothly at -25°C through flame glow plug cold start aid.

Maximum cooling efficiency is provided by a gear driven water pump and independent fan drive.

Leak free operation is ensured by Viton crankshaft seals and sophisticated controlled swell joints, giving protection in the toughest conditions.

**1006TG2A
POWER PACK**



Engine Speed (rev/min)	Type of Operation	Typical Generator Output (Net)		Engine Power			
				Gross		Net	
		kVA	kWe	kWm	bhp	kWm	bhp
1500	Prime Power	103.9	83.1	94.4	126.6	92.3	123.8
	Standby Power	114.3	91.4	103.8	139.2	101.6	136.2
1800	Prime Power	121.9	95.7	112.4	150.7	108.4	145.4
	Standby Power	134.1	107.3	123.6	165.7	119.2	159.8

Rating Base: ISO 8528, GB/T2820

Lubricating oil: API CF

1000 Series 1006TG2A

Standard Specification

Air inlet

- ✘ Mounted air filter and turbocharger

Fuel system

- ✘ In-line fuel injection pump
- ✘ Spin-on full flow fuel oil filters and pre-filter

Lubrication system

- ✘ Flat bottomed aluminium sump
- ✘ Spin-on full flow oil filters
- ✘ Oil cooler

Cooling system

- ✘ Thermostat controlled cooling system with gear driven water pump
- ✘ 22" belt-driven pusher fan and guards

Electrical system

- ✘ 12 volt starter motor and alternator
- ✘ Oil pressure and coolant temperature switches & sensor
- ✘ 12 volt shut down solenoid

Flywheel and housing

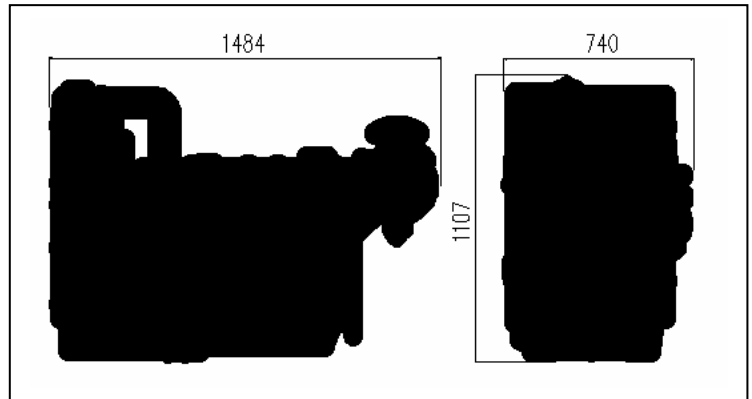
- ✘ High inertia flywheel to SAE3 size 10/11½

Mountings

- ✘ Front engine mounting bracket

Optional Equipment

- ✘ 24 volt alternator
- ✘ 24 volt starter motor



General Data

Cylinder number	6 in-line
Cylinder arrangement	Vertical in-line
Bore×stroke	100 mm×127 mm
Displacement	5.99 liters
Induction	Turbocharged
Cycle	4-stroke
Combustion system	Direct injection
Compression ratio	17.5:1
Direction of Rotation	Clockwise viewed from fan
Lub. System Capacity	16.1 liters
Coolant capacity (inc. radiator)	29.5 liters
Length	1484mm
Width	740 mm
Height	1107 mm
Dry weight	710 kg

Final weight and dimensions will depend on final specification.



Tianjin Lovol Engines Co., Ltd.

Jinwei Road, Beichen District, Tianjin China

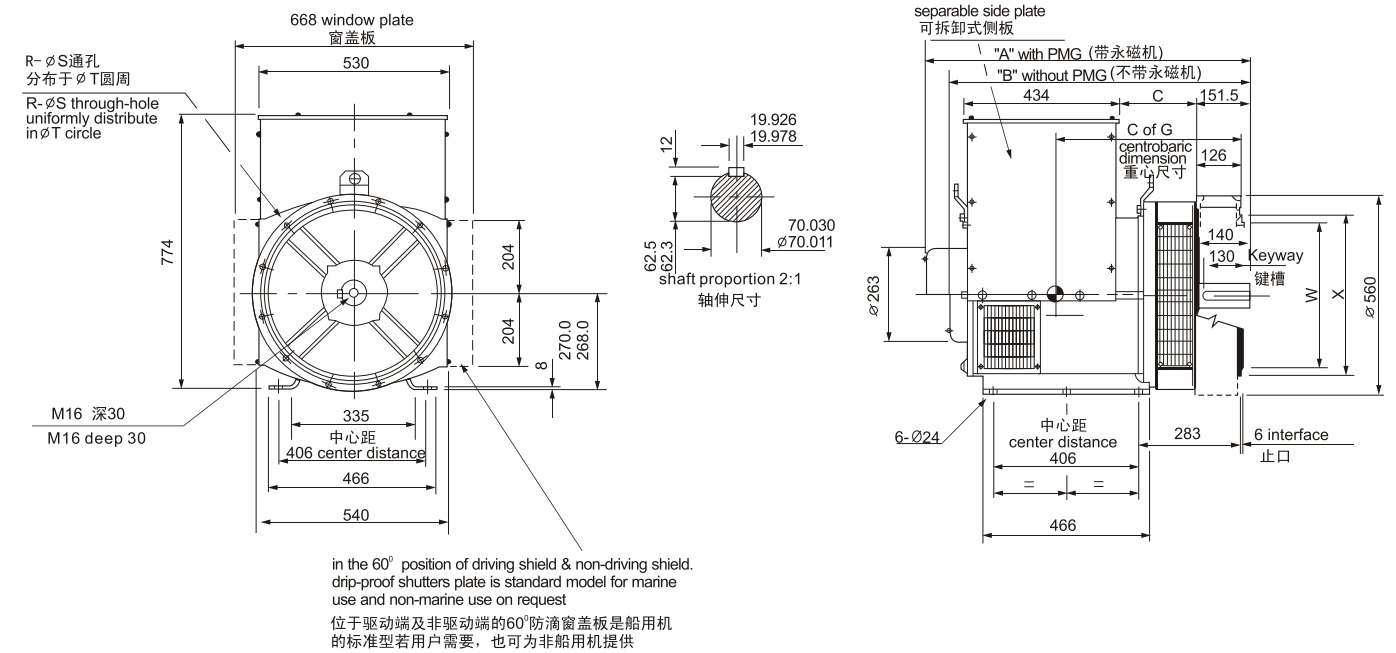
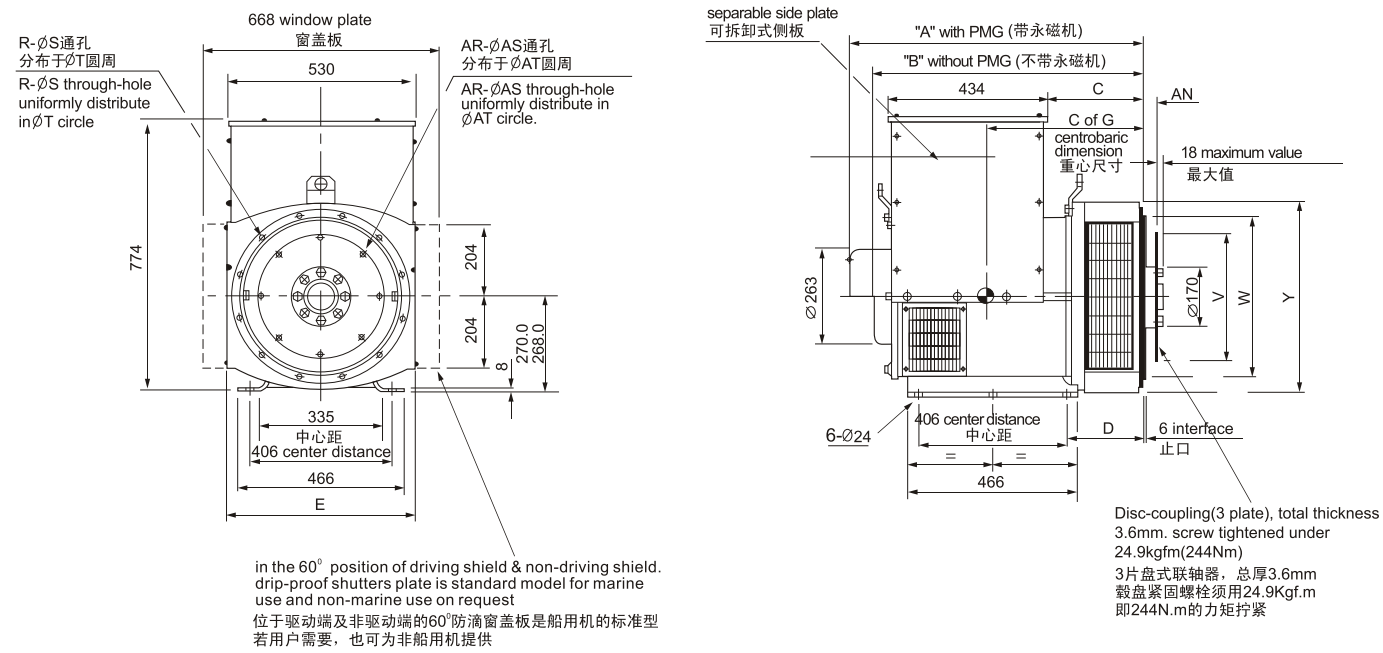
Tel +86 (0)22 26992255/26996802

Fax +86 (0)22 86993260

www.lovolengines.com

All information in this document is substantially correct at the time of printing and may be altered subsequently.





DIMENSION 尺寸(mm)									
	型号 Model	A	B	C	E	C of G	N.W(kg)	G.W(kg)	LXWXH(mm)
SAE1	SLG274C	813.3	750.3	274.3	554	365	385	415	900X650X975
	SLG274D	813.3	750.3	274.3	554	375	405	435	900X650X975
	SLG274E	928.3	865.3	389.3	554	390	455	485	1020X650X975
	SLG274F	928.3	865.3	389.3	554	415	500	530	1020X650X975
	SLG274G	978.3	915.3	439.3	554	435	550	580	1080X650X975
	SLG274H	1018.3	955.3	479.3	554	455	600	630	1110X650X975
SAE2&3	SLG274C	799	736	260	544	398	385	415	900X650X975
	SLG274D	799	736	260	544	422	405	435	900X650X975
	SLG274E	914	851	375	544	489	455	485	1020X650X975
	SLG274F	914	851	375	544	527	500	530	1020X650X975
	SLG274G	964	904	425	544	579	550	580	1080X650X975
SLG274H	1004	941	465	544	625	600	630	1110X650X975	

FLANGE 法兰式过渡接套 (mm)							
S.A.E.NO.	D	R	S	T	W	X	Y
1	216.3	12	12.7	530.2	511.1	553	580
2	202	12	11	466.7	447.6	490	530
3	202	12	11	428.6	409.5	451	530

DISC COUPLING 盘片式联轴器 (mm)					
S.A.E.NO.	AN	AR	AS	AT	V
10	53.98	8	11	295.3	314.2
11.5	39.68	8	11	333.3	352.3
14	25.40	8	13.5	438.2	466.6

DIMENSION 尺寸(mm)				
型号 Model	A	B	C	C of G
SLG274C	905	842	215	420
SLG274D	905	842	215	430
SLG274E	1020	957	330	445
SLG274F	1020	957	330	475
SLG274G	1070	1007	380	490
SLG274H	1110	1047	420	510

FLANGE 法兰式过渡接套 (mm)					
S.A.E.NO.	R	S	T	W	X
1	12	12.7	530.2	511.1	553
2	12	11	466.7	447.6	495
3	12	11	428.6	409.5	451

TRANSPORTATION DATA 运输数据			
型号 Model	N.W(kg)	G.W(kg)	LXWXH(mm)
SLG274C	395	435	980X650X975
SLG274D	420	460	980X650X975
SLG274E	470	510	1080X650X975
SLG274F	510	550	1080X650X975
SLG274G	560	600	1110X650X975
SLG274H	610	650	1160X650X980