

ﺋﯩﺮﺍﺗﻮﺭ : Stamford Power

ﺩﯨﺰﻝ ﻣﻮﺗﻮﺭ Deutz-China

Standby		Prime		
KVA	KW	KVA	KW	
-	-	250	-	ﺩﯨﺰﻝ ﺋﯩﺮﺍﺗﻮﺭ



## DEUTZ DIESEL ENGINE MODEL WP10D264E200



<b>Engine Model:</b>	WP10D264E200
<b>Engine Type:</b>	6 Cylinders, in Line
<b>Displacement:</b>	9.726L
<b>Advertised Power/Speed:</b>	240KW/1500rpm
<b>Standby Power/Speed</b>	264KW/1500rpm
<b>Aspiration :</b>	T-charged & Intercooled
<b>Cooling Method:</b>	Water-cooled
<b>Emission Standard:</b>	Euro II
<b>Fuel Consumption:</b>	≤200g/kW.h
<b>Packing Size(L*W*H):</b>	-
<b>Gross Weight:</b>	-
<b>Delivery Time:</b>	10-20 working days
<b>Payment Terms:</b>	T/T ,L/C

### Weichai WP10D264E200 Diesel Generator Engine

General Information of Weichai WP10D264E200 Diesel Generator Engine	
Engine Model	WP10D264E200
Engine Type	6 Cylinders, in Line
Displacement	9.726L
Bore*Stroke(mm)	126*130
Ignition Sequence	1-5-3-6-2-4
Emission Standard	Euro II
Net Weight	-
Overall Dimension(L*W*H)	-
Technical Specification of Weichai WP10D264E200 Diesel Generator Engine	
Fuel System	Direct Injection Pump

Aspiration	T-charged & Intercooled
Power Output type	Continuous
Electrical System(Starter Motor/Alternator)	12V/24V
Cooling Method	Water Cooled
Governor Type	Mechanical/Electronic Governor

Performance Data of Weichai WP10D264E200 Diesel Generator Engine

Advertised Power/Speed	240kW/1500rpm
Standby Power/Speed	264kW/1500rpm
Fuel Consumption	≤200g/kW.h
Governor Rate	≤5%
Max. Continuous Running Altitude	3000 m

# NEW ERA SLG

系列三相无刷同步发电机  
SERIES THREE-PHASE BRUSHLESS  
SYNCHRONOUS ALTERNATOR



## SLG314 TECHNICAL DATA SHEET

### 50Hz CLASS "H"

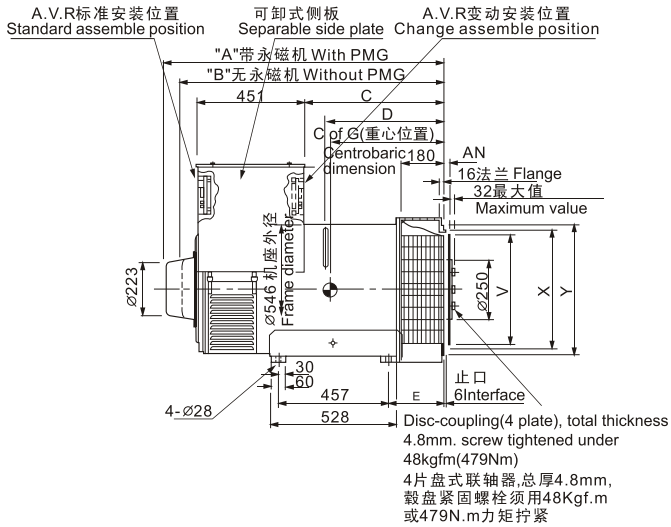
RATINGS	绕组形式 311 / 功率因数0.8 Winding 311 / 0.8 Power Factor															
	持续/125k/40°C Cont./125K/40°C								备用-150/40°C Standby-150/40°C							
定额/温升/环境温度 Duty / Temp Rise / Ambient T°																
相数 PHASE	三相 3 PHASE															
星形串联 SERIES STAR	380	400	415	440	380	400	415	440	380	400	415	440	380	400	415	440
星形并联 PARALLEL STAR	190	200	208	220	190	200	208	220	190	200	208	220	190	200	208	220
三角形串联 SERIES DELTA	220	230	240	254	220	230	240	254	220	230	240	254	220	230	240	254
双三角形并联 DOUBLE DELTA																
	KVA	KW	KVA	KW	KVA	KW	KVA	KW	KVA	KW	KVA	KW	KVA	KW	KVA	KW
SLG314C	250	200	250	200	250	200	250	220	259	207	259	207	259	207	259	207
SLG314D	295	236	295	236	295	236	280	224	313	250	313	250	313	250	295	236
SLG314E	325	260	325	260	325	260	325	260	345	276	345	276	345	276	345	276
SLG314EL	350	280	350	280	350	280	350	280	370	296	370	296	370	296	370	296
SLG314F	380	304	380	304	380	304	380	304	390	312	390	312	390	312	390	312
SLG314G	400	320	400	320	400	320	400	320	415	332	430	344	430	344	430	344

### 60Hz CLASS "H"

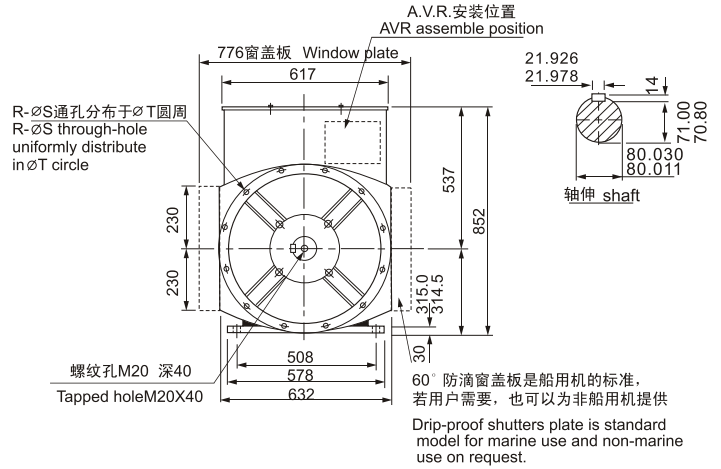
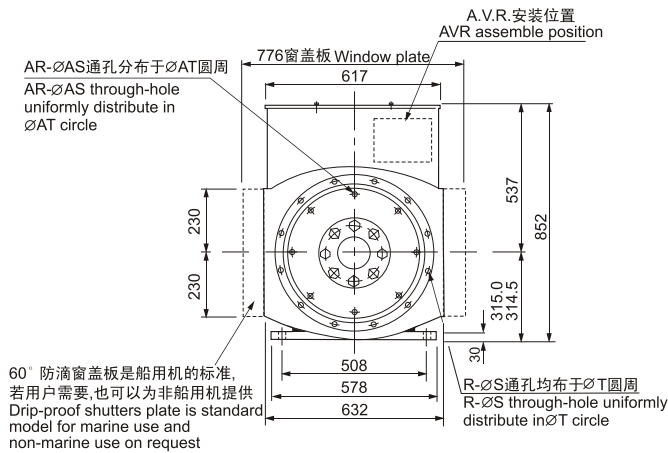
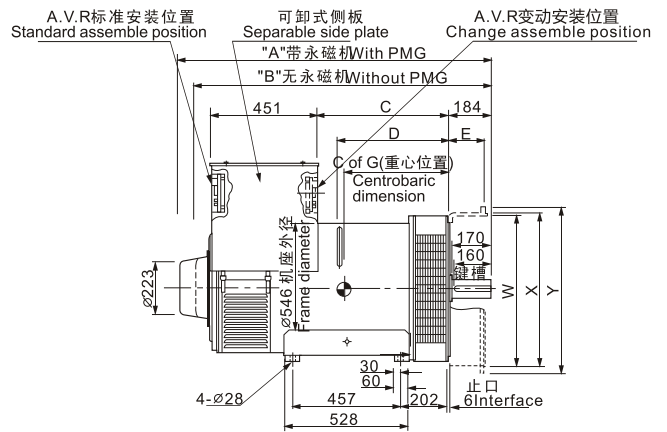
RATINGS	绕组形式 311 / 功率因数0.8 Winding 311 / 0.8 Power Factor															
	持续/125k/40°C Cont./125K/40°C								备用-150/40°C Standby-150/40°C							
定额/温升/环境温度 Duty / Temp Rise / Ambient T°																
相数 PHASE	三相 3 PHASE															
星形串联 SERIES STAR	416	440	460	480	416	440	460	480	416	440	460	480	416	440	460	480
星形并联 PARALLEL STAR	208	220	230	240	208	220	230	240	208	220	230	240	208	220	230	240
三角形串联 SERIES DELTA	240	254	266	277	240	254	266	277	240	254	266	277	240	254	266	277
双三角形并联 DOUBLE DELTA																
	KVA	KW	KVA	KW	KVA	KW	KVA	KW	KVA	KW	KVA	KW	KVA	KW	KVA	KW
SLG314C	281	225	294	235	300	240	313	250	300	240	313	250	319	255	332	266
SLG314D	338	270	350	280	363	290	375	300	365	285	375	300	388	310	400	320
SLG314E	381	305	394	315	406	325	419	335	406	325	419	335	431	345	444	355
SLG314EL	400	320	420	336	440	352	440	352	420	336	445	356	460	368	460	368
SLG314F	444	355	456	365	463	370	475	380	475	380	483	386	488	390	500	400
SLG314G	455	364	480	384	500	400	500	400	485	388	515	412	535	428	535	428

## SLG314 外形图 External dimension

### 单轴承 SINGLE BEARING



### 双轴承 DOUBLE BEARING



#### DIMENSION 尺寸(mm)

型号 Model	A		B		C		D		C of G
	SAE 1/2/0.5	SAE0	SAE 1/2/0.5	SAE0	SAE 1/2/0.5	SAE0	SAE 1/2/0.5	SAE0	
SLG314C	1172	1202	1101	1131	584	614	493	523	463
SLG314D	1172	1202	1101	1131	584	614	493	523	483
SLG314E	1172	1202	1101	1131	584	614	493	523	504
SLG314EL	1172	1202	1101	1131	584	614	493	523	525
SLG314F	1262	1292	1191	1221	674	704	583	613	530
SLG314G	1262	1292	1191	1221	674	704	583	613	550

#### TRANSPORTATION DATA 运输数据

型号 Model	N.W(kg)	G.W(kg)	LXWXH(mm)
SLG314C	800	850	1270X740X1080
SLG314D	890	940	1270X740X1080
SLG314E	960	1010	1270X740X1080
SLG314EL	1010	1060	1270X740X1080
SLG314F	1110	1160	1330X740X1090
SLG314G	1160	1210	1330X740X1090

#### FLANGE 法兰式过渡接套 (mm)

S.A.E.NO.	R	S	T	X	Y	E
0	12	14	679.5	647.6	711	232
1/2	12	14	619.1	584.1	680	232
1	12	12.7	530.2	511.1	617	232
2	12	11	466.7	447.6	617	232

#### DISC COUPLING 盘片式联轴器 (mm)

S.A.E.NO.	AN	AR	AS	AT	V
11.5	39.68	8	11	333.4	352.3
14	25.40	8	13.5	438.1	466.6
18	15.87	6	16.7	543.0	571.4

#### DIMENSION 尺寸(mm)

型号 Model	A	B	C	D	C of G	N.W (kg)	G.W (kg)	LXWXH (mm)
SLG314C	1326	1255	554	463	443	800	860	1370X740X1090
SLG314D	1326	1255	554	463	453	890	950	1370X740X1090
SLG314E	1326	1255	554	463	474	980	1040	1370X740X1090
SLG314EL	1326	1255	554	463	474	1030	1090	1370X740X1090
SLG314F	1416	1345	654	553	500	1110	1170	1470X740X1090
SLG314G	1416	1345	654	553	500	1160	1220	1470X740X1090

#### FLANGE 法兰式过渡接套 (mm)

S.A.E.NO.	R	S	T	W	X	Y	E
0	16	14	679.5	632	647.6	711	150
1/2	12	14	619.1	569	584.1	648	150
1	12	12.7	530.2	496	511.1	553	150
12V135	12	14	625.0	590	604.9	660	158

#### SINGLE BEARING SAE NO SELECTOR 单轴承驱动片和过渡法兰配套表

	SAE11.5	SAE14	SAE18
SAE 0		•	•
SAE 0.5		•	•
SAE 1	•	•	
SAE 2	•		