



KDI 2504TM

QUICK SPECIFICS

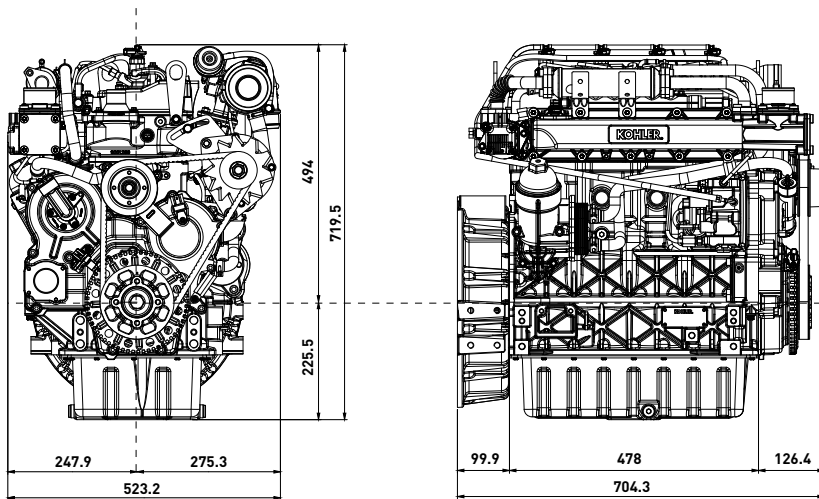
4 CYLINDERS Turbo common rail

74 HP | **55.4 kW** @ 2600 rpm
TIER 4 Final
STAGE III B

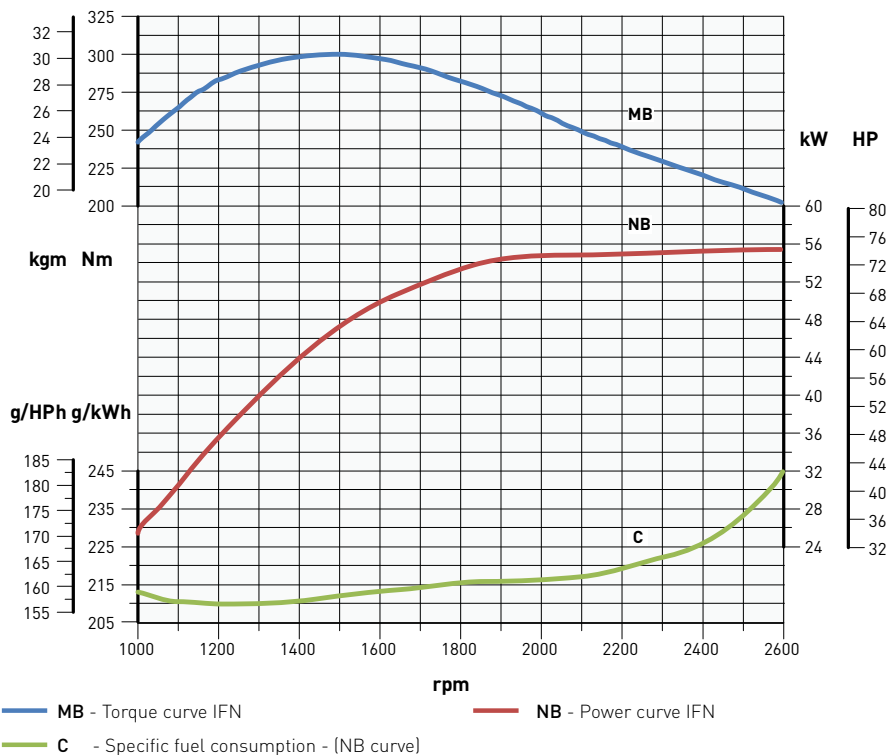
300 Nm @ 1500 rpm

DATA

DIMENSIONS (mm)



PERFORMANCE CURVES (IFN-ACCORDING TO ISO 3046 AND ISO 14396)



Power ratings refer to engines equipped with air filter, standard muffler, after running-in period at ambient conditions of +25°C, relative humidity 30% and 1 bar. De-rating depending on applications.