



KDI 2504M

QUICK SPECIFICS

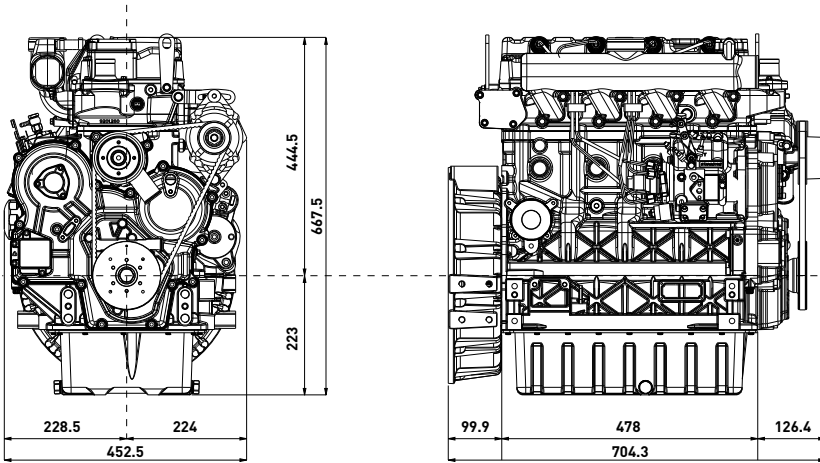
4 Mechanical Engine
CYLINDERS

49 | **36.4** @ 2600 rpm
HP | kW STAGE III A

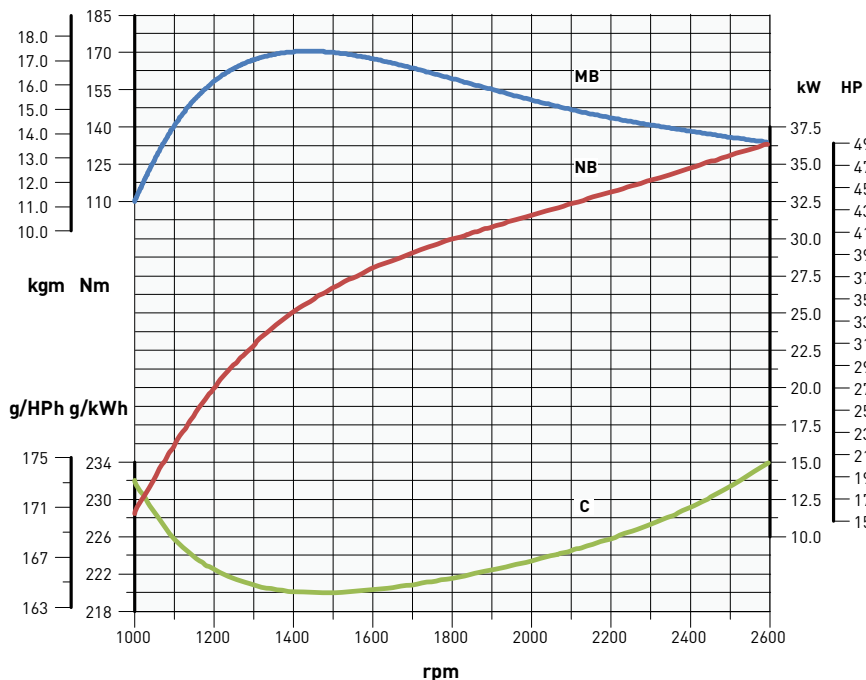
170 @ 1500 rpm
Nm

DATA

DIMENSIONS (mm)



PERFORMANCE CURVES (IFN-ACCORDING TO ISO 3046 AND ISO 14396)



— MB - Torque curve IFN
— NB - Power curve IFN
— C - Specific fuel consumption - (NB curve)

Power ratings refer to engines equipped with air filter, standard muffler, after running-in period at ambient conditions of +25°C, relative humidity 30% and 1 bar. Power levels drop by 1% every 100 m altitude and by 2% every 5°C above +25°C.