

KDI 1903M

QUICK SPECIFICS

3 Mechanical Engine
CYLINDERS

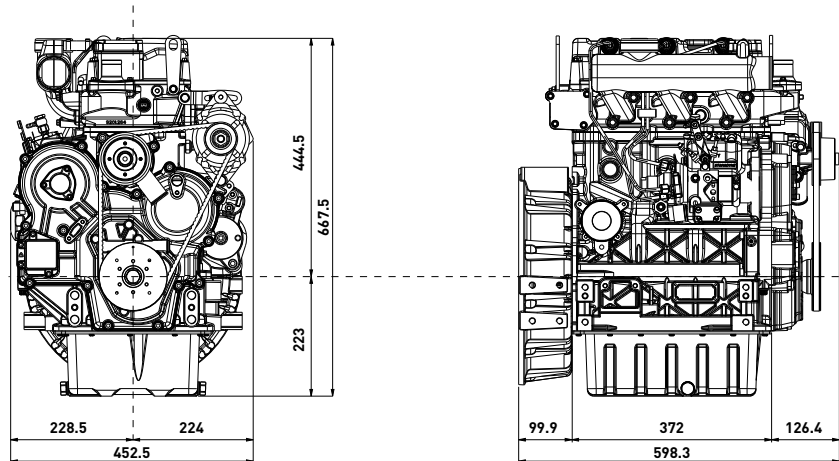
42 | **31** @ 2600 rpm
HP | kW STAGE III A

133 @ 1500 rpm
Nm

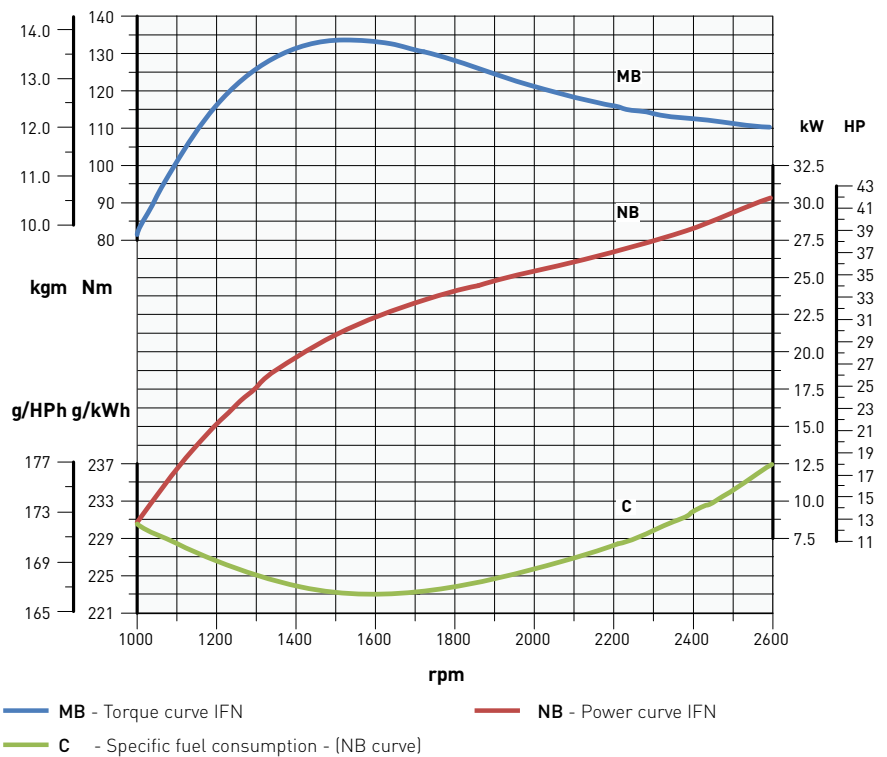


DATA

DIMENSIONS (mm)



PERFORMANCE CURVES (IFN-ACCORDING TO ISO 3046 AND ISO 14396)



Power ratings refer to engines equipped with air filter, standard muffler, after running-in period at ambient conditions of +25°C, relative humidity 30% and 1 bar. Power levels drop by 1% every 100 m altitude and by 2% every 5°C above +25°C.