

- 1 cylinder
- 505 cm³
- 8.8 kW/12.0 HP
- 3600 rpm
- Nm. 27@2200

Homologation

- ECE R 24

Construction

- 4-stroke air cooled diesel engine.
- Conical power take-off on crankshaft.
- Anticlockwise rotation.
- Direct injection.
- Forced lubrication with oil pump.
- Centrifugal speed governor.
- Internal full flow oil filter.
- Oil breathing blow-by with safety device.
- Automatic extra fuel starting device.
- Self bleeding fuel system.
- Torque regulator.
- Manual compression release.
- Die-cast aluminium crankcase.
- Re-borable independent cast-iron cylinders.
- Aluminium alloy cylinder head.
- Built-in rigid feet.

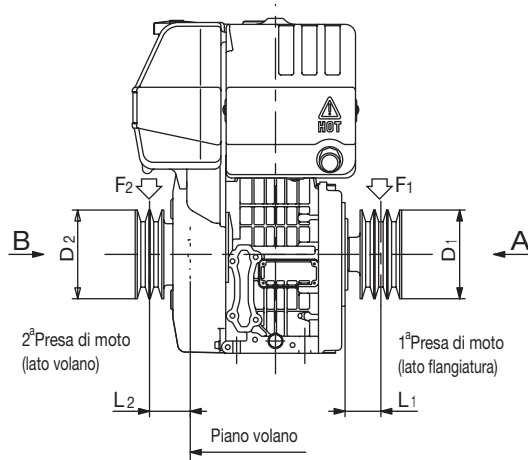


Applications

- Two-wheel tractor
- Agricultural mower
- Agricultural pump
- High pressure cleaner
- Generating set
- Vibrating plate

Specifications

Cylinders	N.	1
Displacement	cm ³	505
Bore	mm	87
Stroke	mm	85
Compression ratio		19:1
Rating kW/HP	N (80/1269/CEE) ISO 1585	8.8/12.0
	NB ISO 3046 IFN	8.1/11.0
	NA ISO 3046 ICXN	7.4/10.0
Max. torque	Nm.	31@2000
Min. idling speed		1000
Fuel tank capacity	l	5
Oil consumption	kg/h.	0.0055
Oil sump capacity	l	1.5
Min. allowable oil pressure	bar	0.8
Max. allowable inclination for short periods of operation (peak values)		25° (35°)
Vol. of air required for correct combustion @ 3600 r.p.m.	l/min.	800
Vol. of air required for correct cooling @ 3600 r.p.m.	l/min.	8700
Dry weight	kg	48
Recommended battery	V/Ah	12/50
Minimum pulley diameters for belt drive		



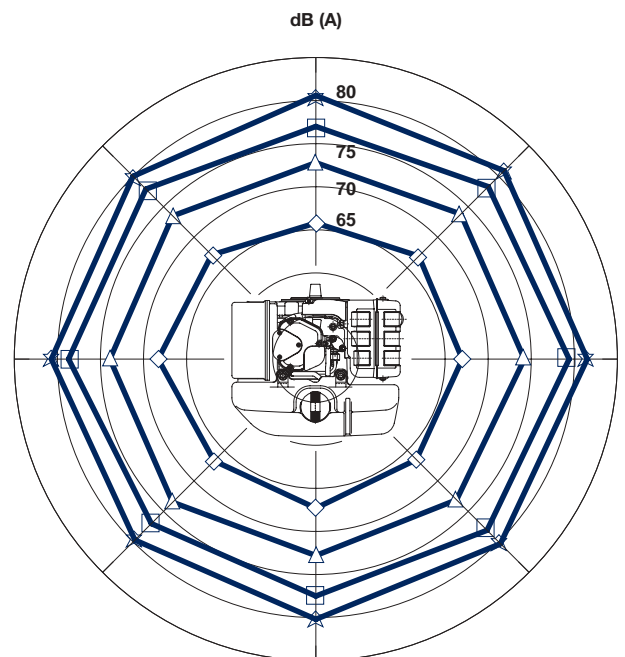
$$D_2 \text{ (mm)} \geq 570 [55 + L_2 \text{ (mm)}] \frac{N \text{ (kW)}}{n \text{ (RPM)}}$$

$$D_1 \text{ (mm)} \geq 900 [48 + L_1 \text{ (mm)}] \frac{N \text{ (kW)}}{n \text{ (RPM)}}$$

Max. allowable axial load in both directions A-B = 200 kg

Sound pressure level dB (A)

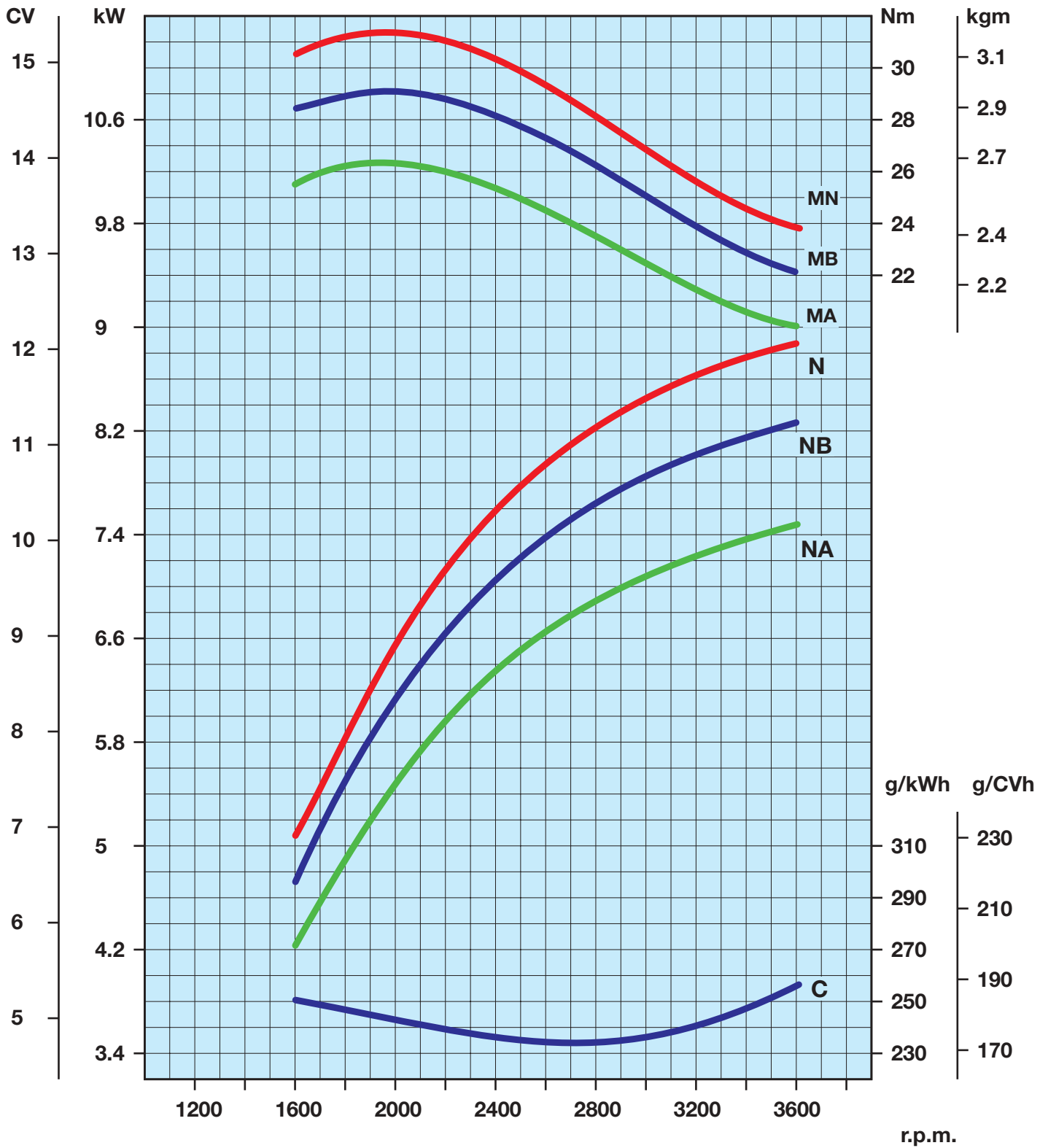
Sound level polar diagram open field - 7 meters microphone - no load running engine.



◆ 1100 RPM ▲ 2000 RPM ◻ 3000 RPM ★ 3600 RPM

SERIE 15LD

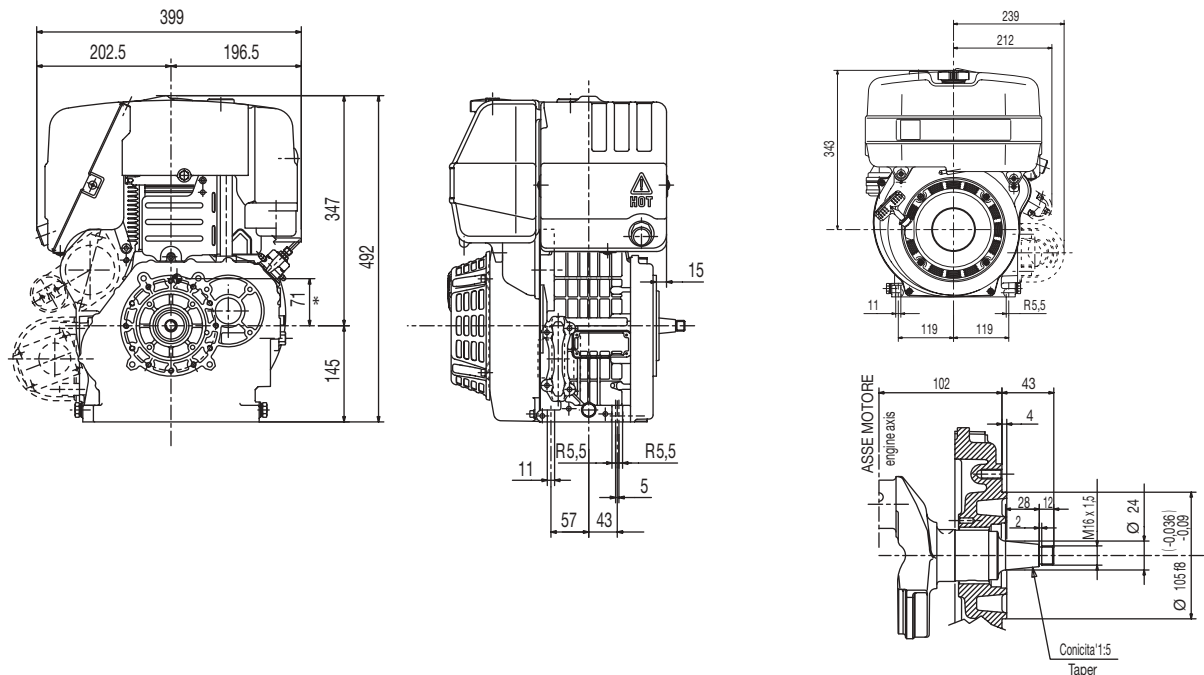
Curves 15LD500



N Power curve - 80/1269/CEE - ISO 1585 -
NB Power curve - ISO 3046/1 - IFN -
NA Power curve - ISO 3046/1 - ICXN -

MN Torque curve - (N curve)
MB (B curve - **MA** (A curve)
C Specific fuel consumption - (NB curve)

Technical drawings *



* More specific dimensions are available on www.lombardini.it (see table at the bottom of the page)

Standard equipment

Accelerator and stop with double linkage for remote control
 Recoil starting
 Automatic deaeration on injection pump
 Dry air filter
 Net oil filter
 Exhaust muffler
 Conical power take-off
 Fuel tank with external fuel filter
 Automatic mechanical fuel supplement
 Parts in natural aluminium
 Zinc plated nuts and bolts
 Black paint on sheet metal parts
 Instruction booklet

Special accessories

Power take-off on flywheel side (engines with electrical starting)
 Power take-off with flanging and special shafts
 Power take-off on camshaft
 Lateral power take off
 Internal dynamic balancer
 Oil bath air cleaner
 Electric starting
 Key switch panel
 Emergency stop through electro-valve
 Accelerator and stop remote control (key start panel with shutdown device)
 Panel protection
 Fuel feed pump
 Oil pressure switch
 Oil temperature switch
 Glow plug on intake manifold
 Recoil with low-noise cover
 Grass protection for engine cooling



ISO 9001 Cert. n. 0446 - 1405
 QS. 9000 Cert. n. 2231/0



Via Cav. del Lavoro Adelmo Lombardini, 2
 42100 Reggio Emilia - Italia
 Tel. ++39 0522.3891 - Fax ++39 0522.389503
www.lombardini.it

Files for this product available on www.lombardini.it

Data sheet	15LD500DS.PDF
Owner manual	15LD500OM.PDF
Service manual	15LD500SM.PDF
Technical drawing	15LD500TD.DWG
Power curve	15LD500PC.PDF

LOMBARDINI RESERVES THE RIGHT TO MAKE MODIFICATIONS WITHOUT PRIOR NOTICE

mod. 51056/5